

Majestic Manufacturing, Inc.

Majestic Manufacturing, Inc. * PO Box 128
4536 State Route 7, New Waterford, Ohio 44445

Subject: Musik Express Gooseneck Inspection

ATTN: OWNER/OPERATOR

This bulletin pertains to the operation of your Majestic unit. This Service Bulletin **must** remain with the owner's manual at **all** times. If you have any questions regarding the Bulletin, contact our office at 330/457-2447, M-F 8:00a.m.-4:30p.m. E.S.T. ** Fax 330/457-7490.

SERVICE BULLETIN

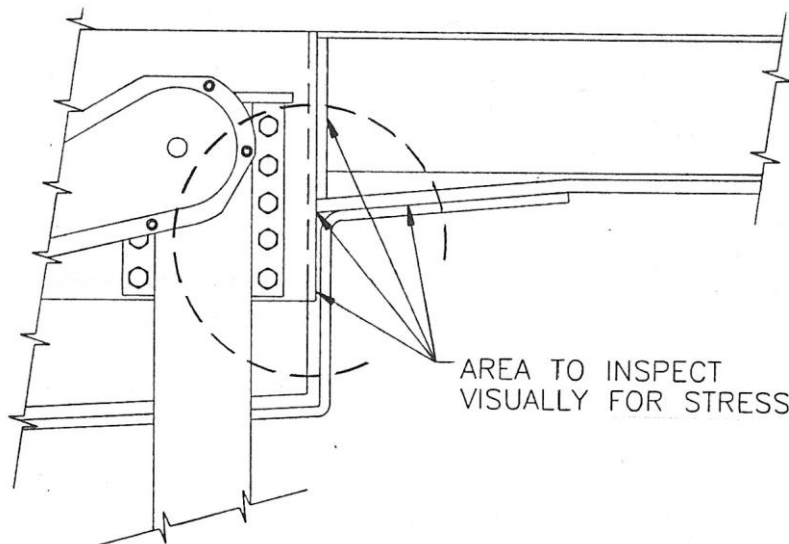
Date: May 16, 1998

S.B. Number: 98-1

Notice:

It should be noted that certain highway conditions and travel speed over adverse roads might apply excessive stress to the noted areas on the drawing.

A weekly visual inspection should be performed in the areas noted on the drawing below.



If you have any questions on factory standards or procedures on our equipment, contact Majestic Manufacturing, Inc. during normal business hours of 8:00 a.m. to 4:30 p.m. Monday through Friday, E.S.T. at 330/457-2447 or toll free at 1-888-MAJ-RIDE.