

## **Majestic Manufacturing, Inc.**

Majestic Manufacturing, Inc. \* PO Box 128  
4536 State Route 7, New Waterford, Ohio 44445

**Subject:** Folding Gooseneck TM-1400 & TM-1800

**ATTN: OWNER/OPERATOR**

This bulletin pertains to the operation of your Majestic unit. This Service Bulletin **must** remain with the owner's manual at **all** times. If you have any questions regarding the Bulletin, contact our office at 330/457-2447, M-F 8:00a.m. -4:30p.m. E.S.T. \*\* Fax 330/457-7490.

# **SERVICE BULLETIN**

**Date:** February 13, 1991

**S.B. Number:** 91-2 Sheet 1 of 2

**Notice:**

Majestic Manufacturing, Inc. indicates in the owner's manual about the safeguards and hazards of raising and lowering the hydraulic gooseneck. In addition, Majestic Manufacturing will be issuing operational placards along with the instructions and hardware to be placed on each and every Majestic scooter equipped with this hydraulic feature. Majestic Manufacturing also states that any modification to the factory design relieves any responsibility of Majestic Manufacturing. You may order these placards free of charge if they are ordered within 90 days of this service bulletin. After 90 days, the charge will be \$4.00 each. You are required to have two (2) placards for each scooter building.

If you have any questions on factory standards or procedures on our equipment, contact Majestic Manufacturing, Inc. during normal business hours of 8:00 a.m. to 4:30 p.m. Monday through Friday, E.S.T. at 330/457-2447 or toll free at 1-888-MAJ-RIDE.

# Majestic Manufacturing, Inc.

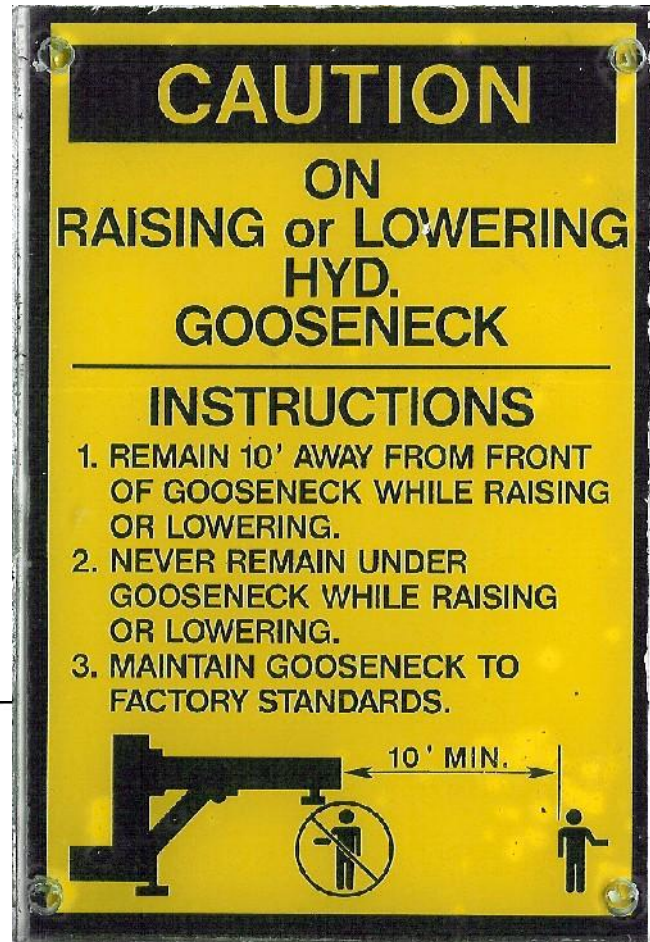
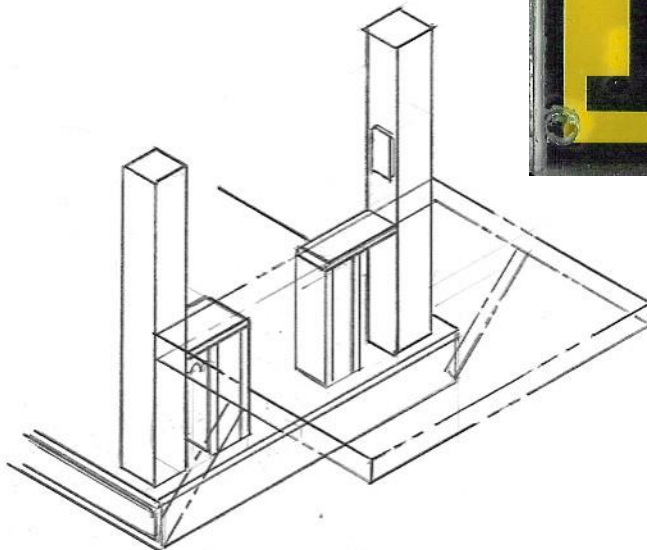
Majestic Manufacturing, Inc. \* PO Box 128  
4536 State Route 7, New Waterford, Ohio 44445

## Instructions for Installing Warning Decal:

Using the holes in the decal,  
Locate & drill a 13/64" dia.  
Hole in the side panels.  
Pop rivet in place

Trailer top  
Support Posts

Location of  
Warning  
Decal



Gooseneck

**NOTE:** Warning Label must be located on the unit in such a way that it is visible to any person prior to the lowering or raising of the Gooseneck.