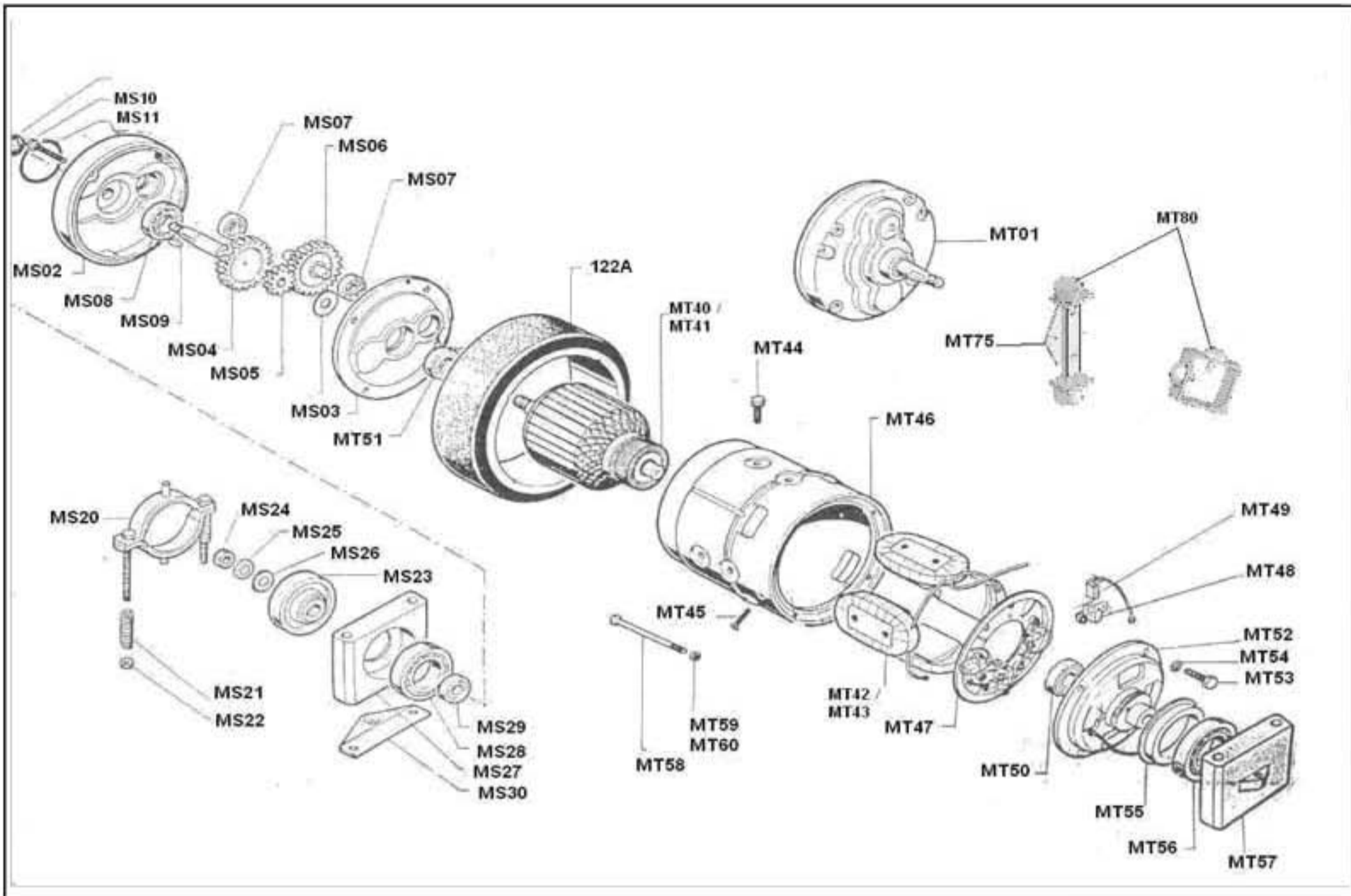


Viper Body

Part No.	Description
WB005	Seat Right
WB010	Seat Left
WB015	Seat Bottom
WB020	Headrest
WB025	Chrome Trim Right
WB030	Chrome Trim Left
WB035	Interior ABS Plastic Panel Right
WB040	Interior ABS Plastic Panel Left
WB045	Headlight Lens Right
WB050	Headlight Lens Left
WB055	White LED Lights Assembly(90 Volt)
WB056	White LED Lights Assembly (48 Volt)
WB060	Red LED Lights (90 Volt)
WB061	Red LED Lights (48 Volt)
AZ12C	Bumper Tire
AZ13B	Inner Tube
WB065	Rear Top Lens Right
WB070	Rear Top Lens Left
WB075	Rear Tail Lens Right
WB080	Rear Tail Lens Left
WB085	Small Red LED Light
WB090	Circuit Breaker
WB087	Small Red LED Light
WC025	Lap Bar Bracket Right
WC030	Lap Bar Bracket Left

Lap Bar

Part No.	Description
WC005	Lap Bar Complete Assembly
H-830-K	Lap Bar Pad
WC015	Lap Bar with Foam Pad
WC020	Swival
I0275	Gas Shock
I0282	Ball Stud
H-830-J	Cable
I285	Pull Down Strap



TRANSMISSION

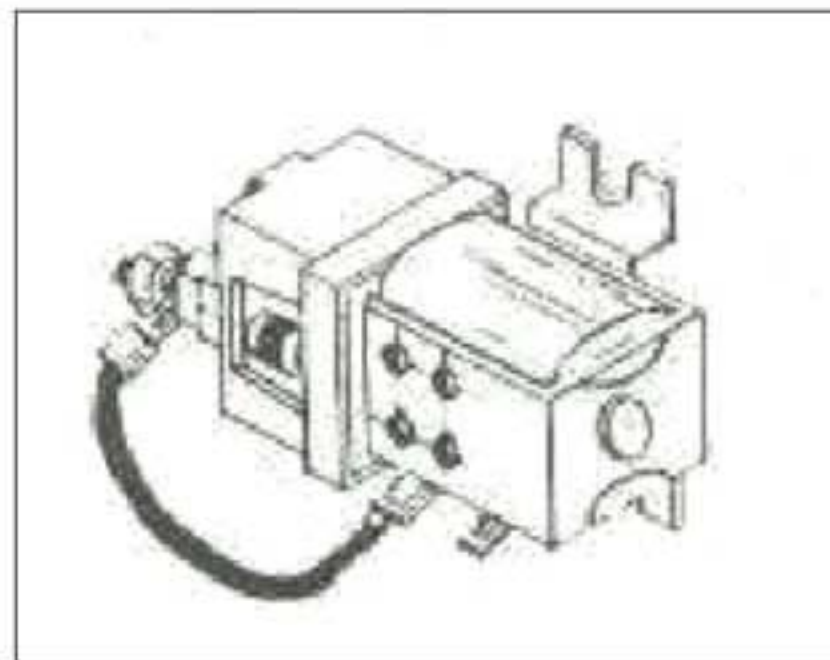
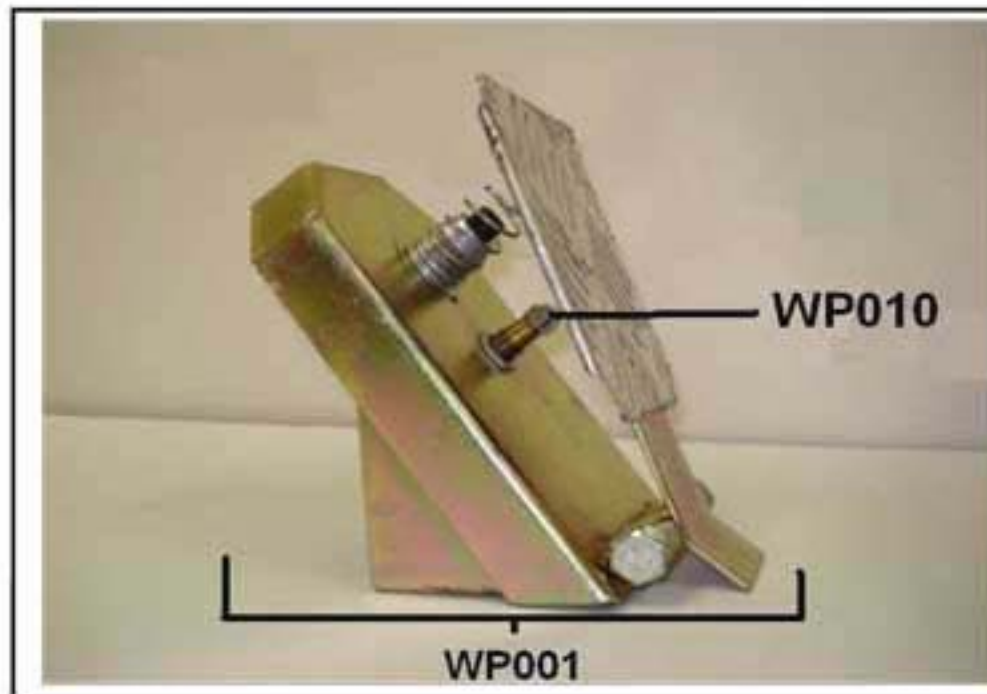
Part No.	Description
MS01	Complete Transmission
MS02	Transmission Housing
MS03	Transmission Cover
MS04	Gear w/ Clutch Shaft
MS05	Armature Gear
MS06	2 Speed Gear
MS07	Bearing 6201
MS08	Bearing 6205
MS09	Key 6 X 6 X 15
MS10	Bolt 8 X 45
MS11	Snap Ring 60 X 4

CLUTCH

Part No	Description
MS20	Complete Clutch
MS21	Spring
MS22	Nut M8
MS23	Clutch Wheel
MS24	Nut MB14
MS25	Spring Washer M14
MS26	Washer 15 X 28
MS27	End Block
MS28	Bearing C4208
MS29	Bearing C6203Z
MS30	Clutch Pin Plate

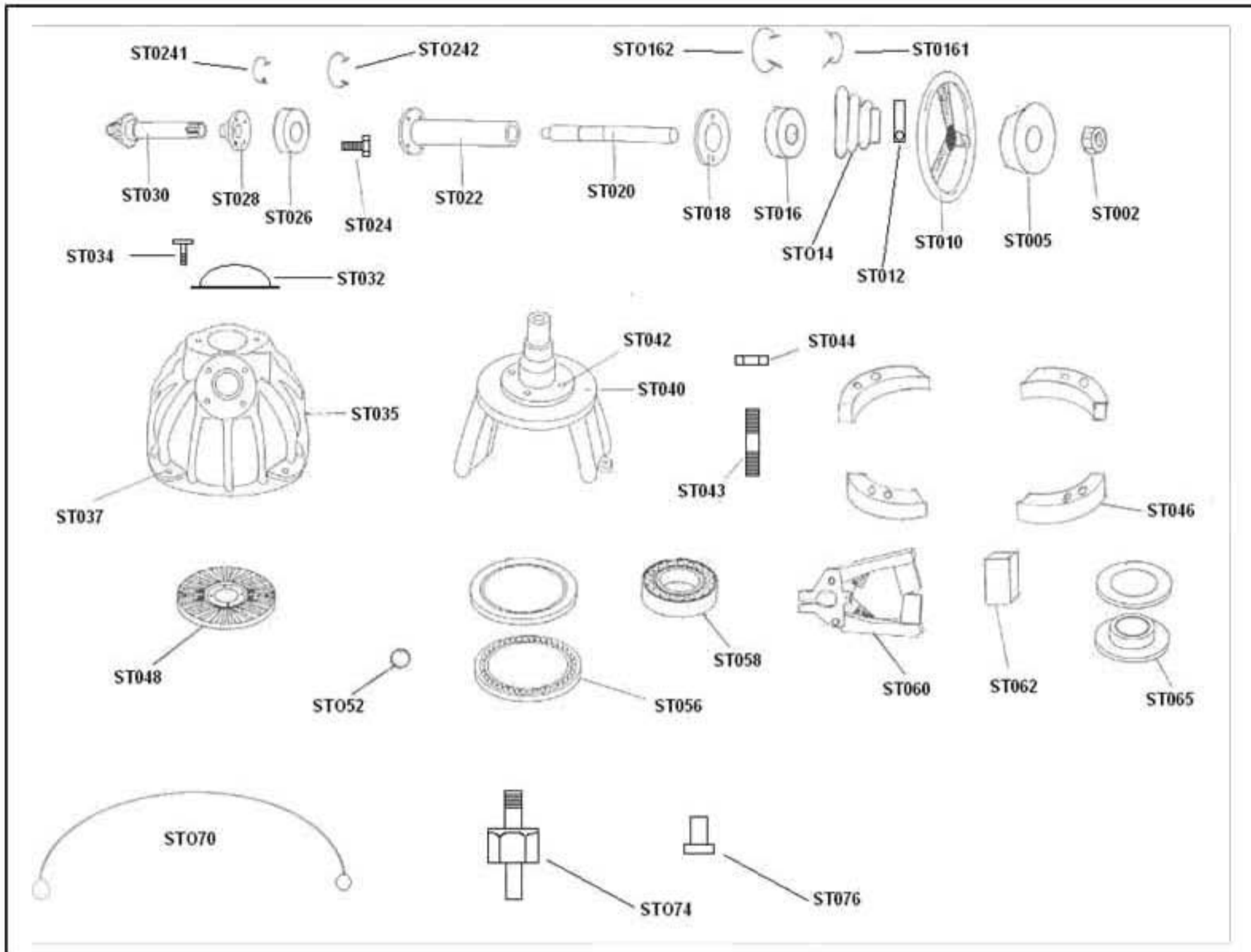
MOTOR

Part No	Description
MT65	90 Volt Motor w/ Drive Tire
MT70	48 Volt Motor w/ Drive Tire
MT40	90 Volt Motor Armature
MT41	48 Volt Motor Armature
MT42	90 Volt Field Coils
MT43	48 Volt Field Coils
MT44	Bolt M8 X 20
MT45	Bolt M5 X 20 Ground Screw
MT46	Motor Housing
MT47	Brush Holder Ring
MT48	Brush Holder
MT49	Brush With Wire
MT50	Bearing C6204ZF
MT51	Bearing C6204RS
MT52	Motor Cap
MT53	Socket Bolt M8 20
MT54	Lock Washer M8
MT55	Commutator Ring
MT56	Bearing C6307Z
MT57	End Block
122A	Drive Wheel
MT58	Fixing Bolt M6 X 90
MT59	Lock Washer M6
MT60	Nut M6
MT75	Motor Stop Complete
MT80	Rubber Stop



PEDAL

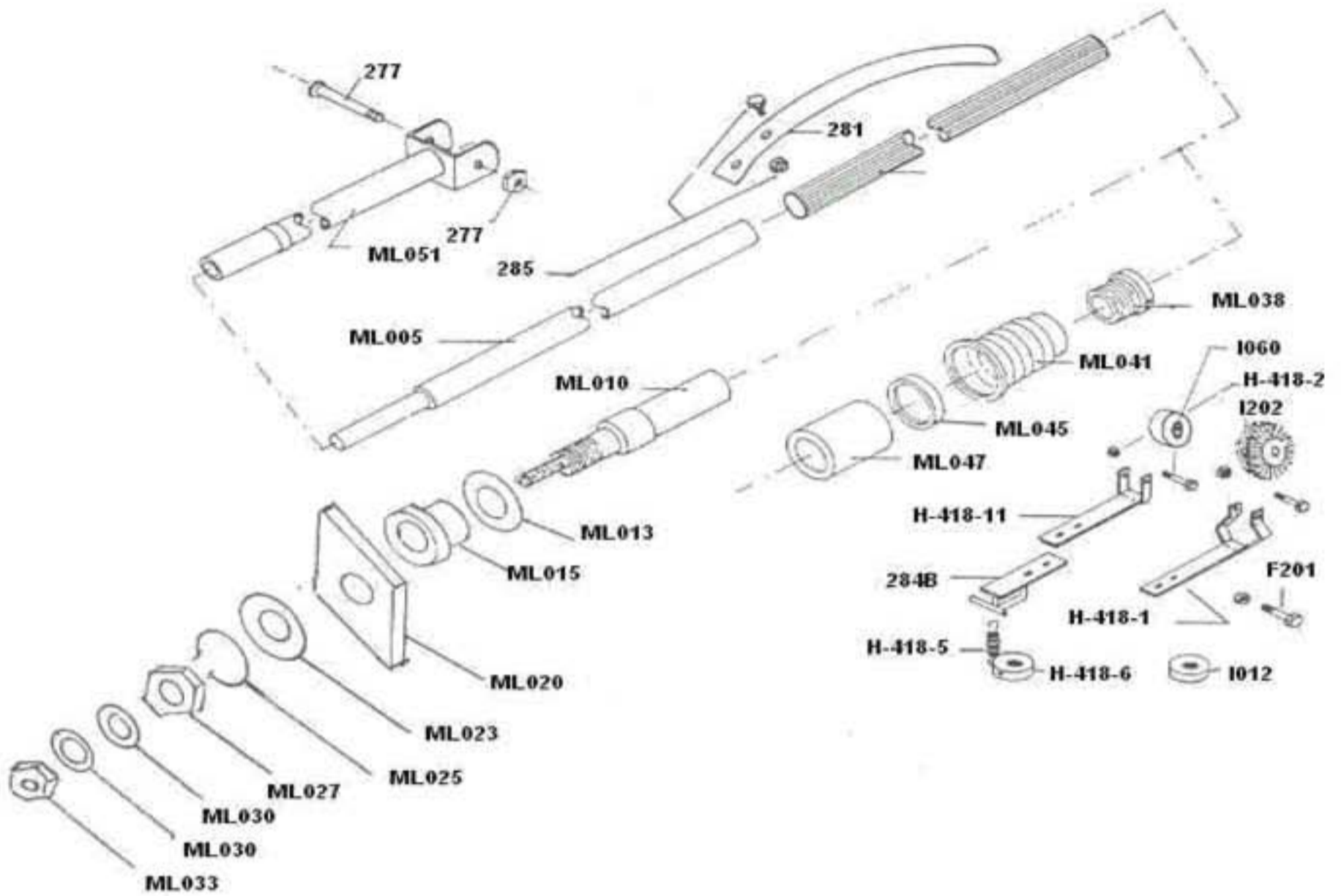
Part No.	Description
WP001	Pedal Assembly
WP010	Micro Switch
WB095	60 Volt Solenoid
245J	30 Volt Solenoid



STEERING

Part No.	Description
ST001	Steering Column Complete
ST002	Nut M14 X 2.0
ST005	Steering Wheel Pad
ST010	Steering Wheel
ST012	Clamp
ST014	Rubber Boot
ST016	Bearing 6005 ZZ
ST0161	Snap Ring P1337
ST0162	Snap Ring P1139
ST018	Locking Plate
ST020	Steering Shaft
ST022	Steering Column
ST024	Hex Bolt M8 X 1.25 x 35mm LG
ST0241	Snap Ring P1336
ST0242	Snap Ring P1338
ST026	Bearing 6004 Z
ST028	Steering Column Support Plate
ST030	Bevel Pinion Gear
ST032	Housing Cap
ST034	Hex Bolt M6 X 1.0 X 19 MM LG

Part No.	Description
ST035	Outer Housing
ST037	Hex Bolt M12 X 1.75
ST040	Inner Housing
ST042	Hex Bolt M8 X 1.25 X 35 mm LG
ST043	Stud M12 X 1.75
ST044	Nut M12 X 1.75
ST046	Shock Absorber
ST048	Disc Gear
ST052	Ball Bearing 113
ST056	Ball Bearing Race Bearing
ST058	Bearing 30208
ST060	Double Brush Holder
ST062	Brush
ST065	Commutator Ring
ST070	Power Wire
ST074	Brush Holder Post
ST076	Insulator Tube



Trolley Assembly

Part No.	Description	Part No.	Description
ML005	Trolley Pole	281	Flat Wiper Blade
ML010	Pole Pin	277	Bolt & Nut
ML013	Flat Washer	285	Bolts & Nuts
ML015	Insulator Tube	284B	Trolley Holder
ML020	Square Insulator	H-418-11	Roller Holder
ML023	Flat Washer	H-418-2	Trolley Wheel
ML025	Lock Washer	F201	Socket Shoulder Bolt & Nut
ML027	Nut M12 X 1.75	H-418-5	Spring
ML030	2 Flat Washers	H-418-6	Collar
ML033	Fiber Nut M8 x 1.25	I012	Height Adjusting Collar
ML038	Rail Fitting	H-418-11	Brush Holder
ML041	Rubber Cover	I202	3" Wire Brush
ML045	Compression Ring		
ML047	Rubber Sleeve		
ML051	Trolley Rod		